

11. Attach the L-bracket [H8] to the right side of Podium [P1] using 4 [H13] screws, **as shown in Illustration #3.**

12. With two people turn the two tables over and lay the end of the Main Table [P2] on the L-bracket [H8]. Use 4 [H12] screws to attach the Main Table end to the L-bracket. **See Illustration #3.**

13. Then line up the other 2 MP [P7] holes with the small holes in the inside of the Podium. Use 2 [H10] screws to attach the MP [P7] to the Podium [P1]. **See Illustration #4.**

14. Line the bottom of the Book Stopper [H14] with the Silicone Glue [H15]. Insert into the slotted holes on the adjustable top of the Podium [P1], **as shown in Illustration #4.**

ILLUSTRATION #3

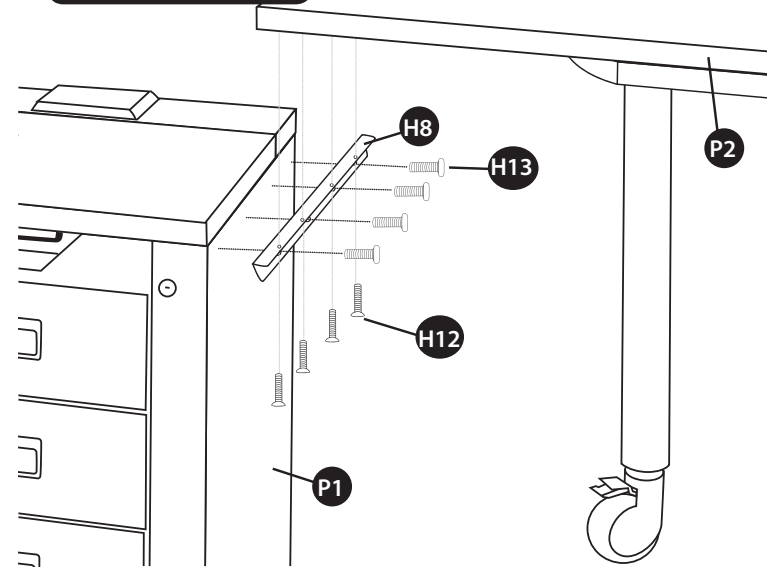
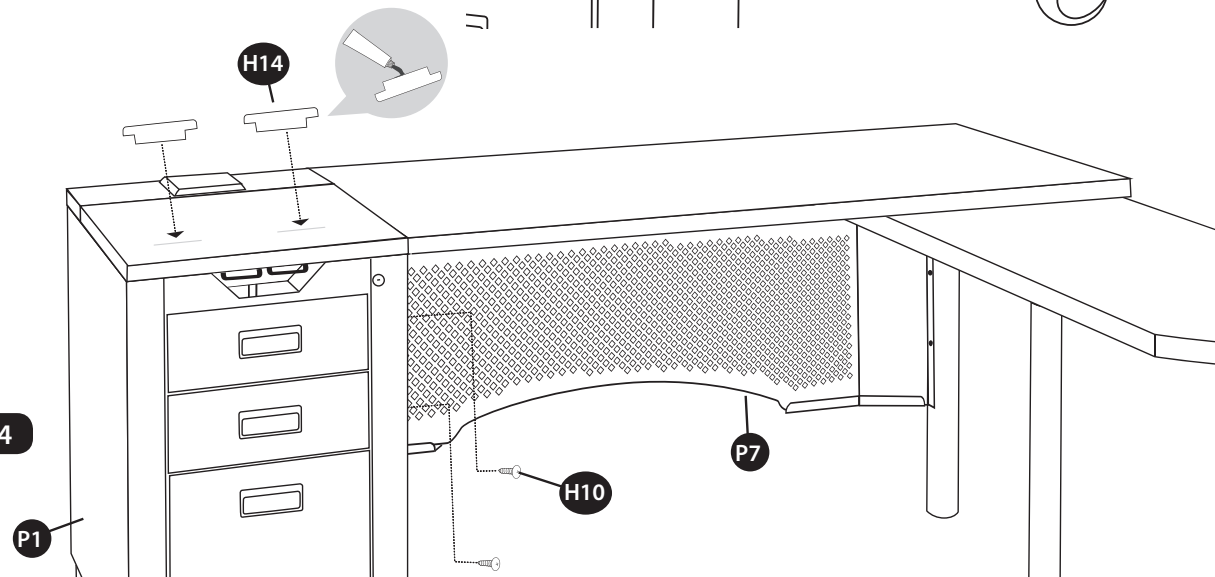


ILLUSTRATION #4



LEFT SIDE RETURN ASSEMBLY

1. Identify and Separate all the Parts and Hardware.
2. Place the Main Table [P2] on a flat surface upside down, where the 2 recessed square cutouts are on your left.
3. Install Steel Plate A [H1] to the recessed area further from you. Use 4 [H11] screws to attach Plate A [H1] using the plate's outer holes.
4. Place one Washer Plate [H4] over Steel Plate A [H1]. Use 8 [H9] screws to attach the washer plate.
5. Attach Steel Plate B [H2] to the other recessed cutout closer to you. Use 4 [H11] screws to attach the steel plate to the table using the holes shown in close up drawing in Illustration #1.
6. Turn the Pull-out Table [P3] upside down. Place the Pull-out Table [P3] with the 2 recessed cutouts on your left. Take Steel Plate C [H3] and attach to the Pull-out Table [P3] on the recessed cutout further from you, using 4 [H11] screws. Attach the second Washer Plate [H4] to the other recessed cutout using 8 [H9] screws.
7. Lift and lower the Pull-out Table [P3], lining the small hole on the Pull-out Table with the bolt on Plate A [H1].
8. Once completely lined up and lowered, place the Locking Washer [H7] over bolt. Then take the Nut [H6] and tighten the two tables together well with wrench. Next, locate the 3 spots on the Main Table [P2] to attach the Table Stopper [H5] to the table. Care should be taken that the Pull-out Table

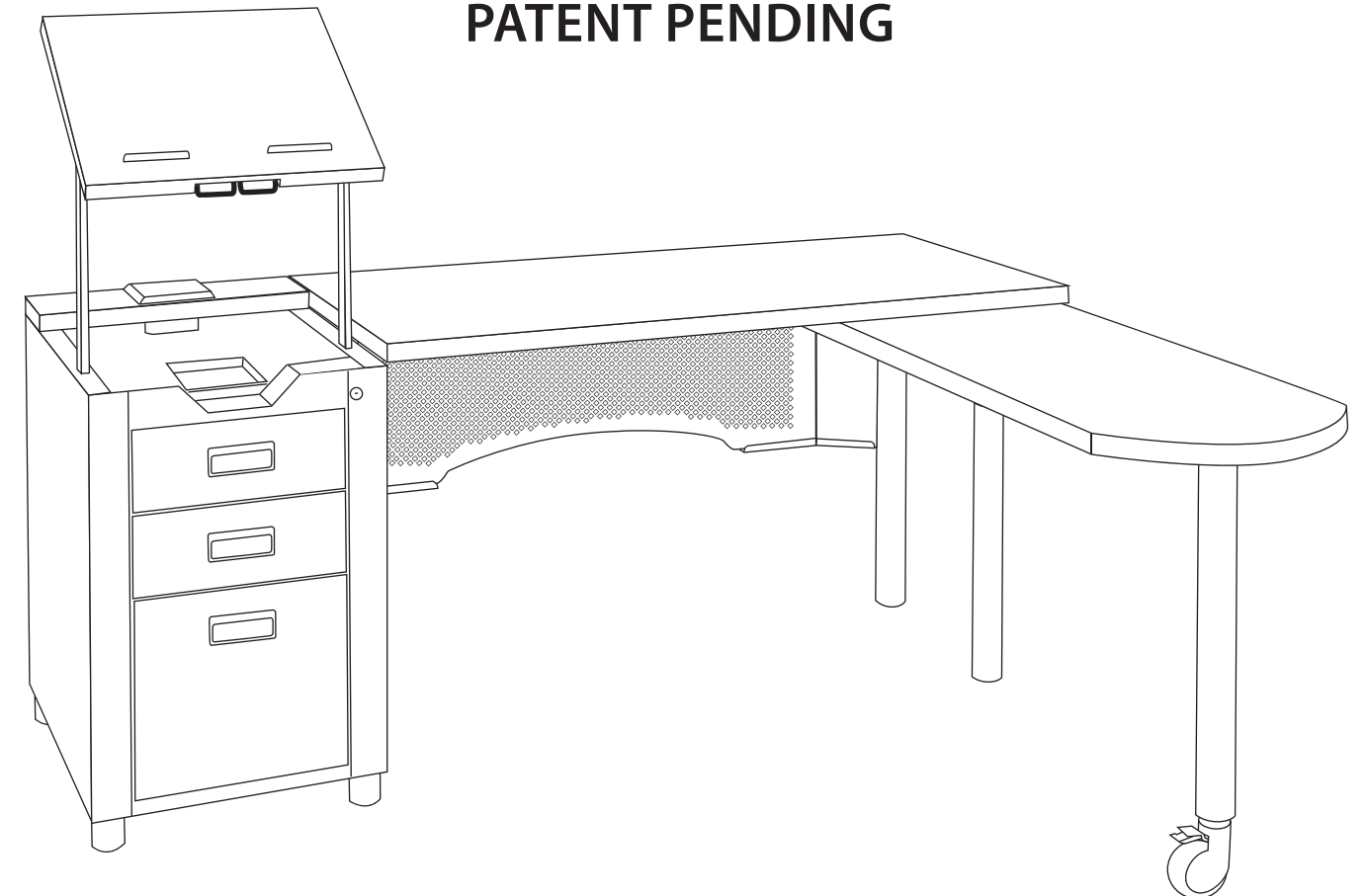
Stopper [H5] is positioned so that the rubber lined end is flush with the Pull-out Table [P3] and screw head is facing outward. Attach using 3 [H10] screws.

9. Install the Swivel Leg [P4] to Plate C [H3] using 4 [H12] screws. Install the Stationary Leg [P5] to Plate B [H2] using 4 [H12] screws, **with the 2 screw holes on the leg facing inside.** Finally attach Caster Leg [P6] to the other side of Pull-out Table with 6 table inserts. Use enclosed wrench to tighten the large breaking caster to Leg [P6].
10. Place the Modesty Panel [P7] inside the Stationary Leg [P5], aligning the Modesty Panel's top holes with the locating marks along the edge of the Table. Use 5 [H10] screws to attach the MP [P7] to the Table [P2]. Then use 2 [H10] screws to attach the MP [P7] to the Stationary Leg [P5].
11. Attach the L-bracket [H8] to the left side of Podium [P1] using 4 [H13] screws.
12. With two people turn the two tables over and lay the end of the Main Table [P2] on the L-bracket [H8]. Use 4 [H12] screws to attach the Main Table end to the L-bracket (holes are punched closer to the end of bracket).
13. Then line up the other 2 MP [P7] holes with the small holes in the inside of the Podium. Use 2 [H10] screws to attach the MP [P7] to the Podium [P1].
14. Line the bottom of the Book Stopper [H14] with the Silicone Glue [H15]. Insert into the slotted holes on the adjustable top of the Podium [P1].

**Academia**
FURNITURE INDUSTRIES

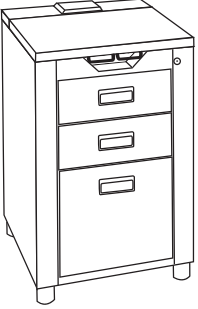
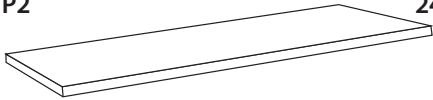
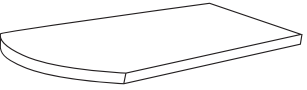
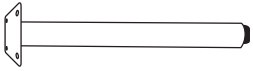
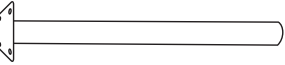
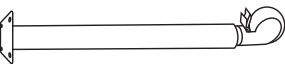
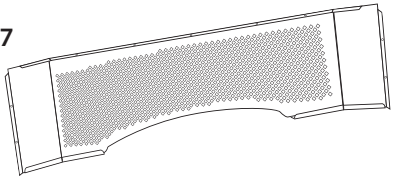
NATE TEACHER'S STATION

MODEL # TSP-2468
PATENT PENDING



ASSEMBLY INSTRUCTIONS

LIST OF PARTS

Part	Drawing	Description	Qty
P1		Podium	1
P2		24x50 Main Table	1
P3		18x42 Pull-out Table	1
P4		Swivel Leg	1
P5		Stationary Leg	1
P6		Caster Leg	1
P7		Modesty Panel	1

HARDWARE LIST

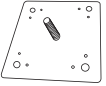
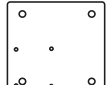
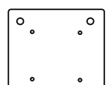
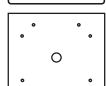
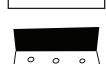

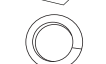


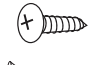
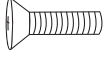
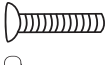
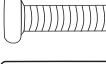
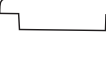

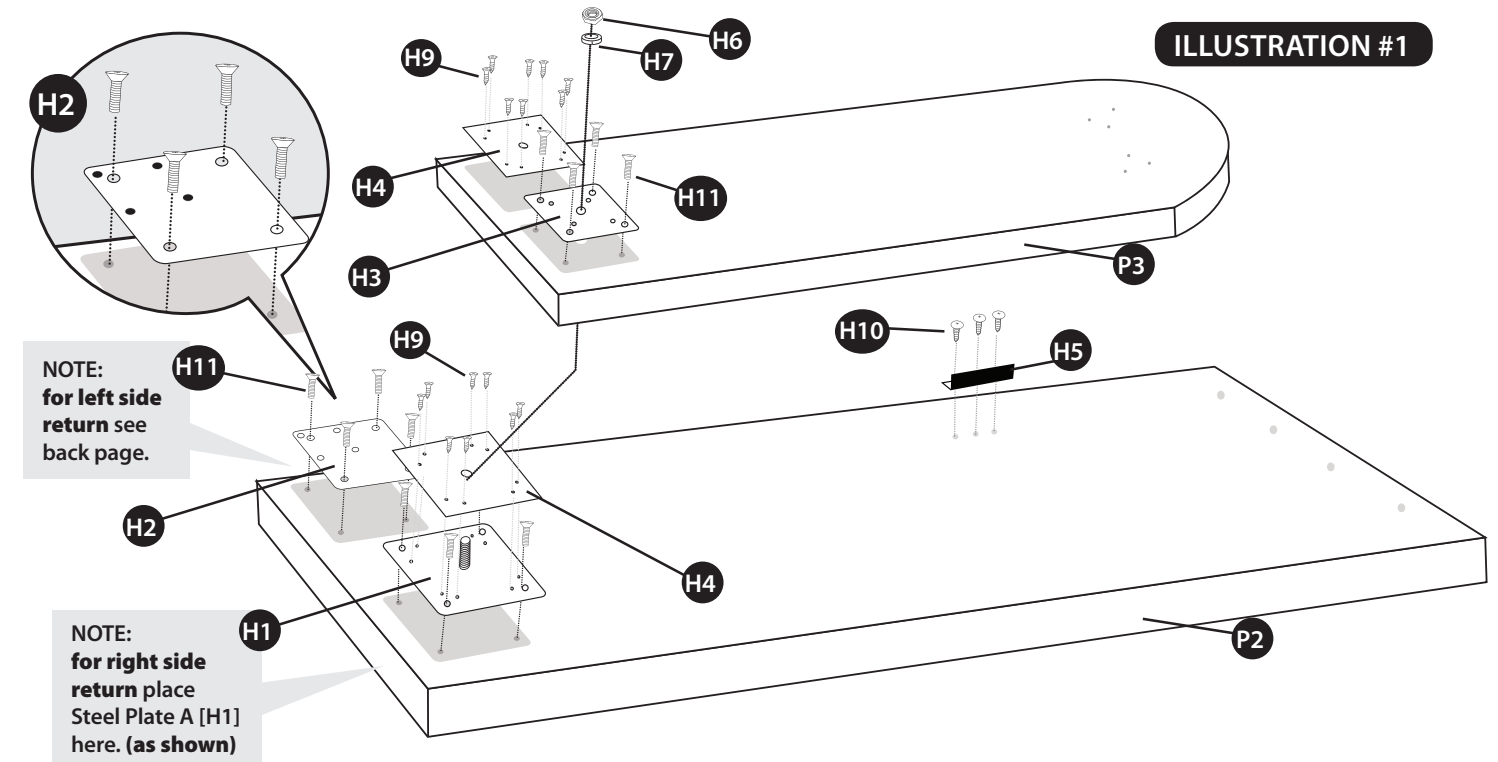
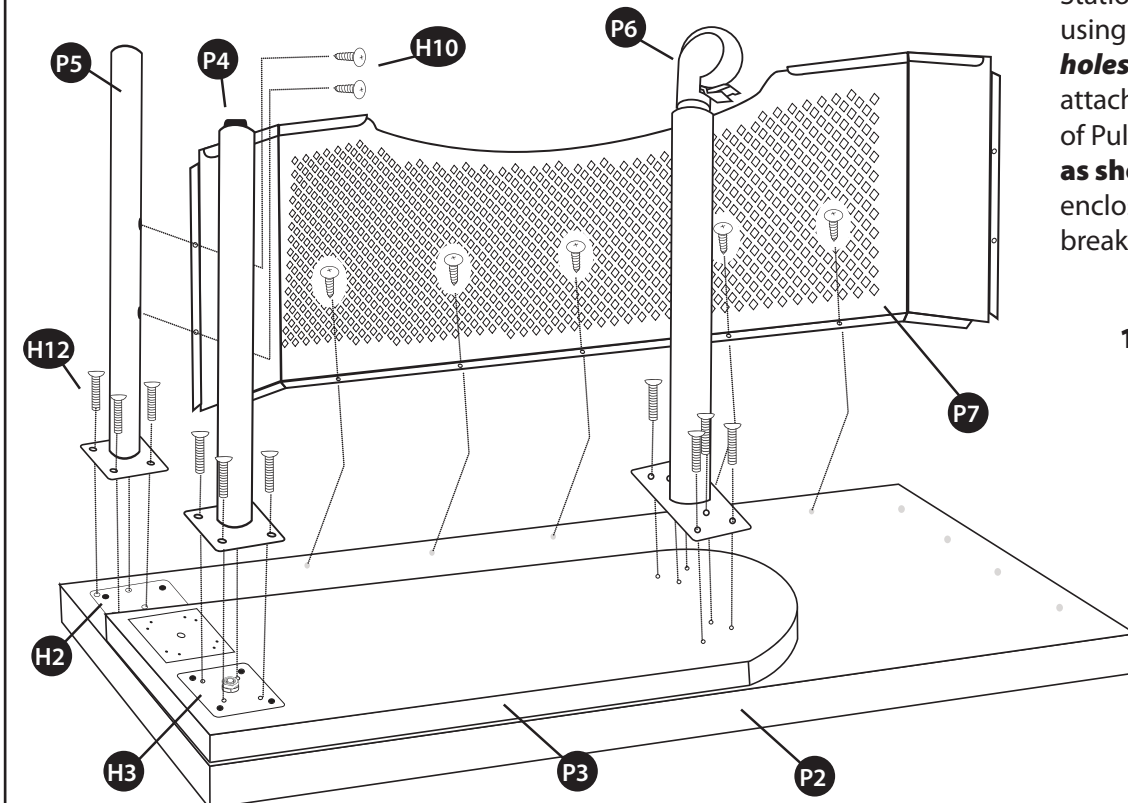
Part	Drawing	Description	Qty
H1		Steel Plate A	1
H2		Steel Plate B	1
H3		Steel Plate C	1
H4		Washer Plate	2
H5		Pull-out Table Stopper	1
H6		Nut	1
H7		Locking Washer	1
H8		Podium L-bracket	1
H9		Washer Plate Screws	16
H10		MP & Stopper Screws	12
H11		Steel Plate Screws	12
H12		Leg Screws	18
H13		Podium Screws	4
H14		Book Stopper	2
H15		Silicone Glue	1

ILLUSTRATION #1



8. Once completely lined up and lowered, place the Locking Washer [H7] over bolt. Then take the Nut [H6] and tighten the two tables together well with wrench. Next, locate the 3 spots on the Main Table [P2] to attach the Table Stopper [H5] to the table. Care should be taken that the Pull-out Table Stopper [H5] is positioned so that the rubber lined end is flush with the Pull-out Table [P3] and screw head is facing outward. **See Illustration #1.** Attach using 3 [H10] screws.

ILLUSTRATION #2



9. Install the Swivel Leg [P4] to Plate C [H3] using 4 [H12] screws. Install the Stationary Leg [P5] to Plate B [H2] using 4 [H12] screws, **with the 2 screw holes on the leg facing inside.** Finally attach Caster Leg [P6] to the other side of Pull-out Table with 6 table inserts, **as shown in Illustration #2.** Use enclosed wrench to tighten the large breaking caster to Leg [P6].

10. Place the Modesty Panel [P7] inside the Stationary Leg [P5], aligning the Modesty Panel's top holes with the locating marks along the edge of the Table. Use 5 [H10] screws to attach the MP [P7] to the Table [P2]. Then use 2 [H10] screws to attach the MP [P7] to the Stationary Leg [P5], **as shown in Illustration #2.**

RIGHT SIDE RETURN ASSEMBLY

FOR LEFT SIDE RETURN ASSEMBLY SEE BACK PAGE.

1. Identify and Separate all the Parts and Hardware.
2. Place the Main Table [P2] on a flat surface upside down, where the 2 recessed square cutouts are on your left **as shown in Illustration #1.**
3. Install Steel Plate A [H1] to the recessed area closer to you, **as shown in Illustration #1.** Use 4 [H11] screws to attach Plate A [H1] using the plate's outer holes.
4. Place one Washer Plate [H4] over Steel Plate A [H1]. Use 8 [H9] screws to attach the washer plate, **as shown in Illustration #1.**
5. Attach Steel Plate B [H2] to the other recessed cutout

6. Turn the Pull-out Table [P3] upside down. Place the Pull-out Table [P3] with the 2 recessed cutouts on your left. Take Steel Plate C [H3] and attach to the Pull-out Table [P3] on the recessed cutout closer to you, using 4 [H11] screws. Attach the second Washer Plate [H4] to the other recessed cutout using 8 [H9] screws, **as shown in Illustration #1.**
7. Lift and lower the Pull-out Table [P3], lining the small hole on the Pull-out Table with the bolt on Plate A [H1], further away from you. Use 4 [H11] screws to attach the steel plate to the table, using the holes **as shown in close up drawing in Illustration #1.**