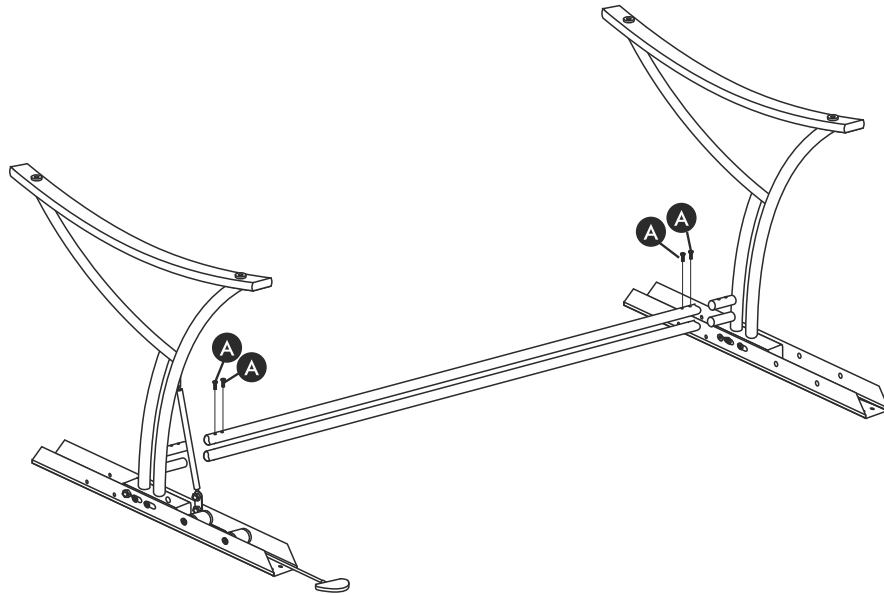
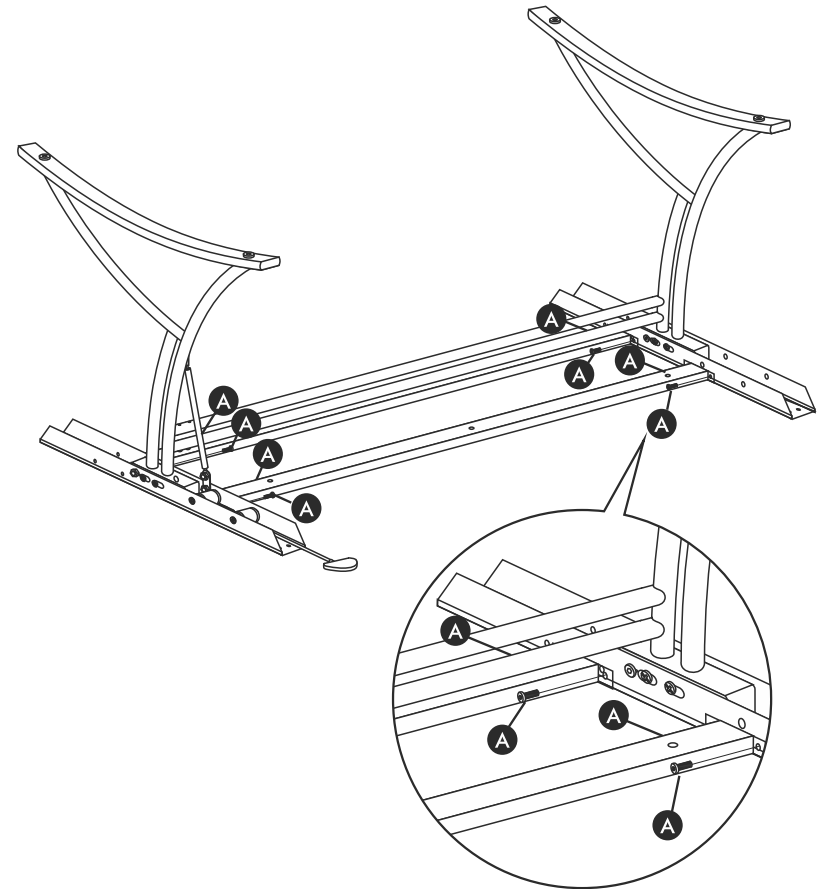







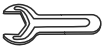
STEP 1



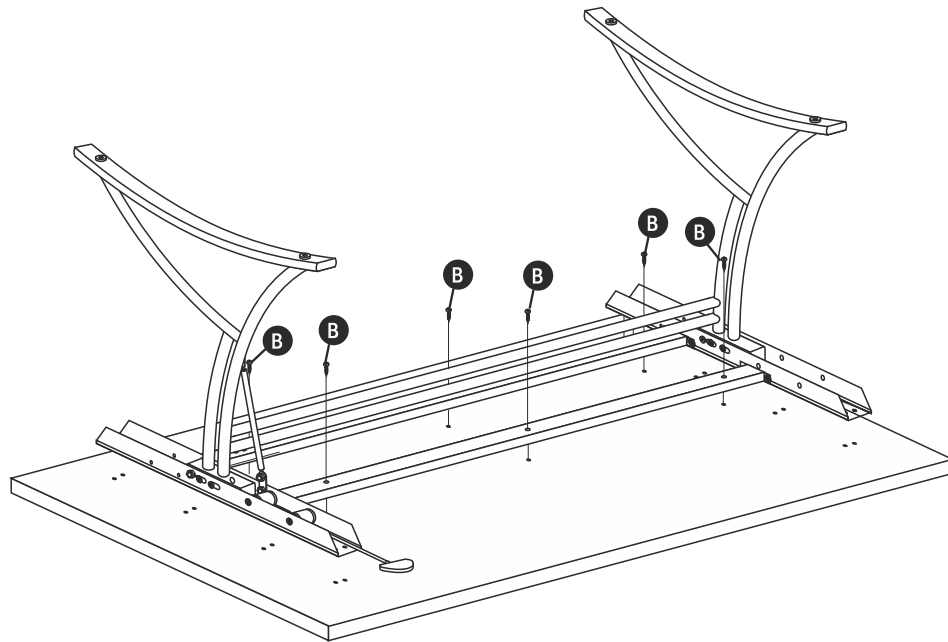
STEP 2



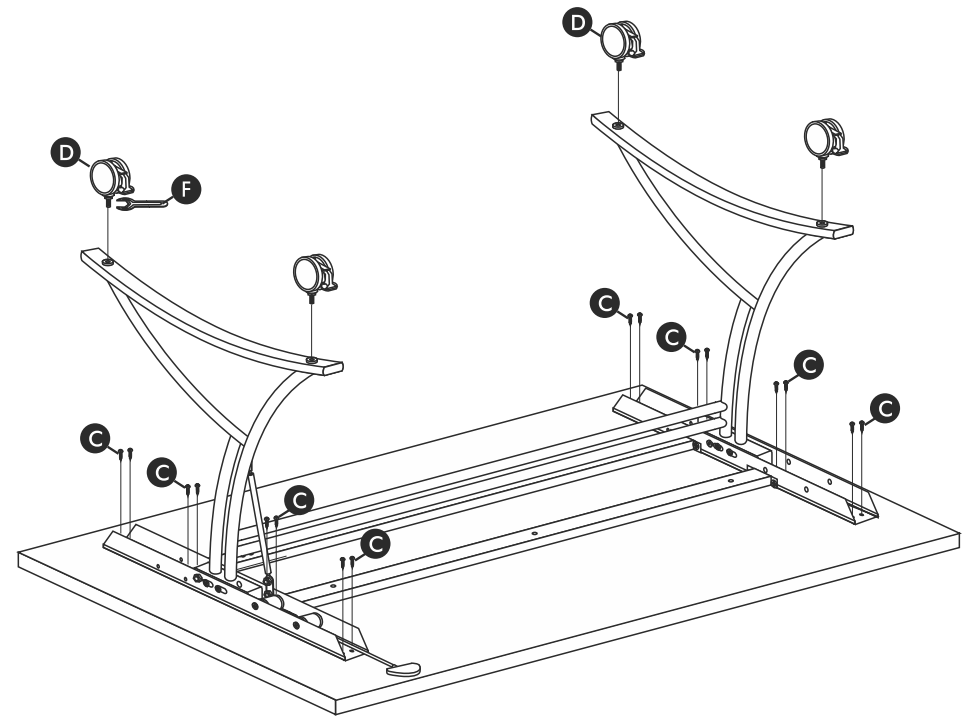
HARDWARE LIST

Part	Drawing	Qty
A		16
B		6
C		16
D		4
E		1
F		1

STEP 3



STEP 4



STEP 5

