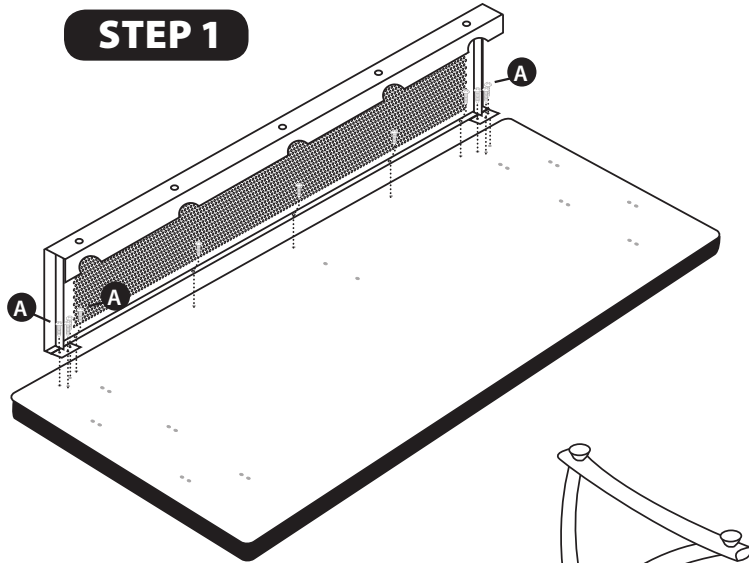
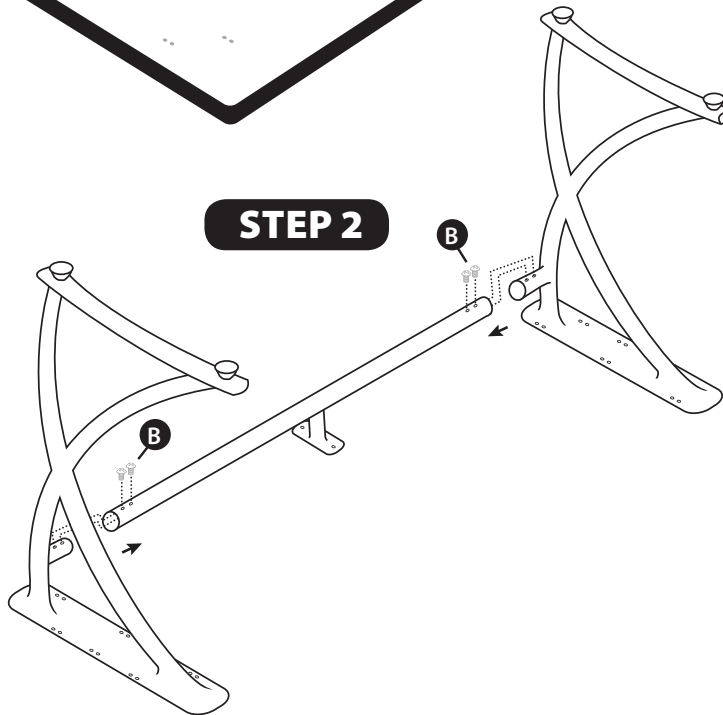


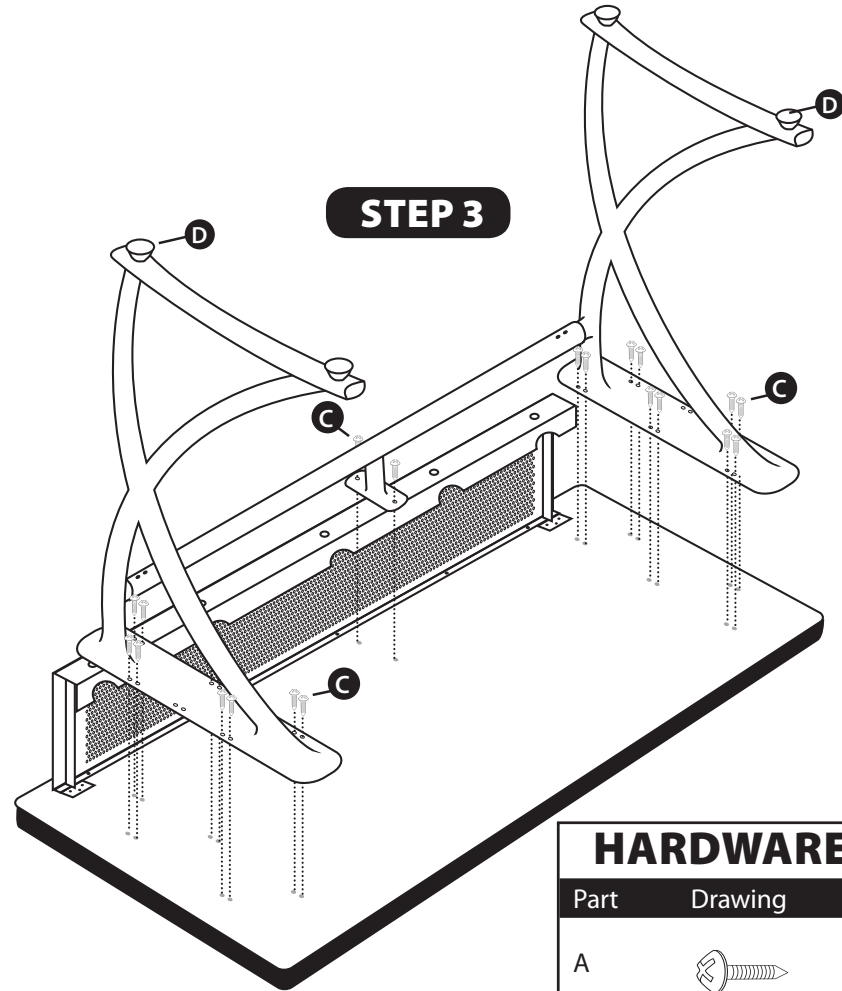
**STEP 1**



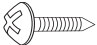

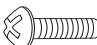

**STEP 2**



**STEP 3**



**HARDWARE LIST**

Part	Drawing	Qty
A		11
B		4
C		22
D		4

**NOTE:** FOR TABLE WITHOUT MODESTY PANEL, START WITH STEP 2.