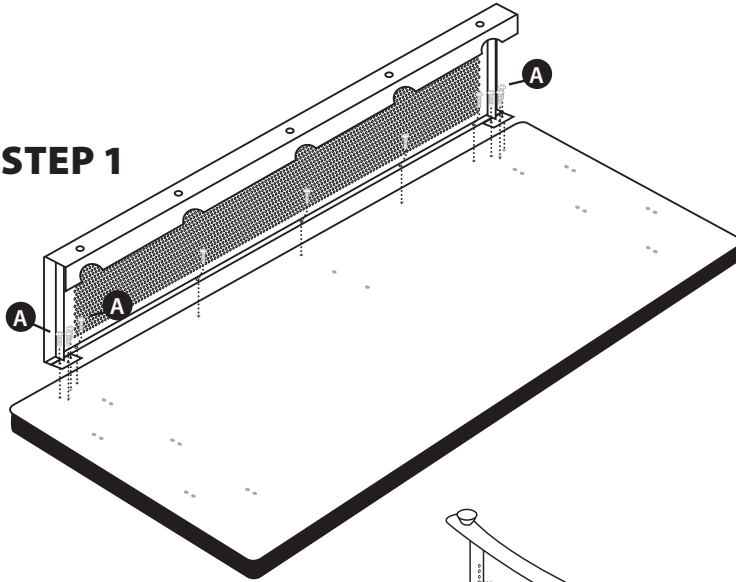
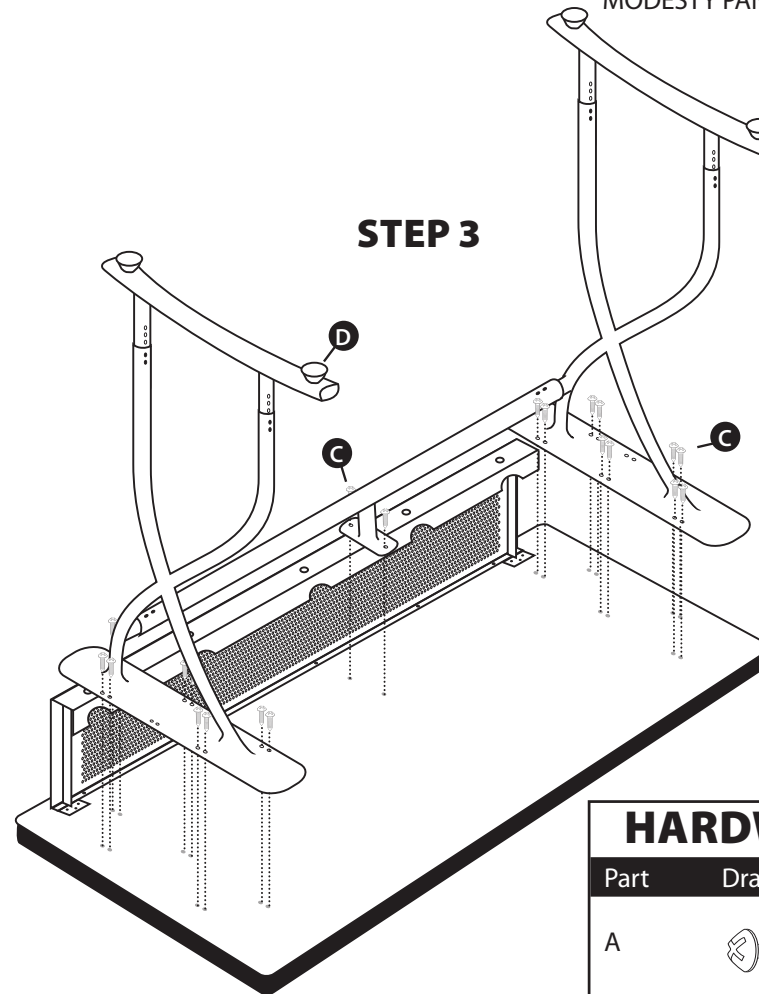


NOTE: FOR TABLE WITHOUT
MODESTY PANEL, START WITH STEP 2.

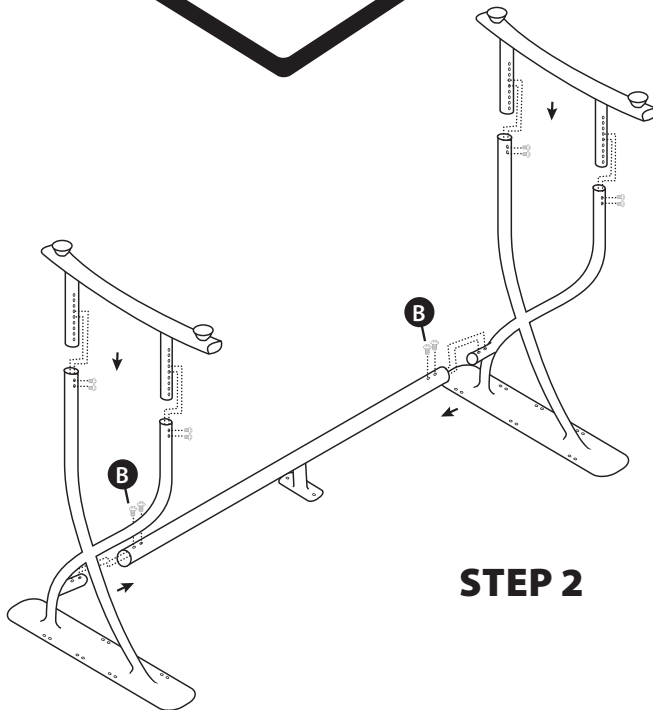
STEP 1



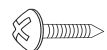

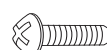

STEP 3



STEP 2



HARDWARE LIST

Part	Drawing	Qty
A		11
B		4
C		22
D		4