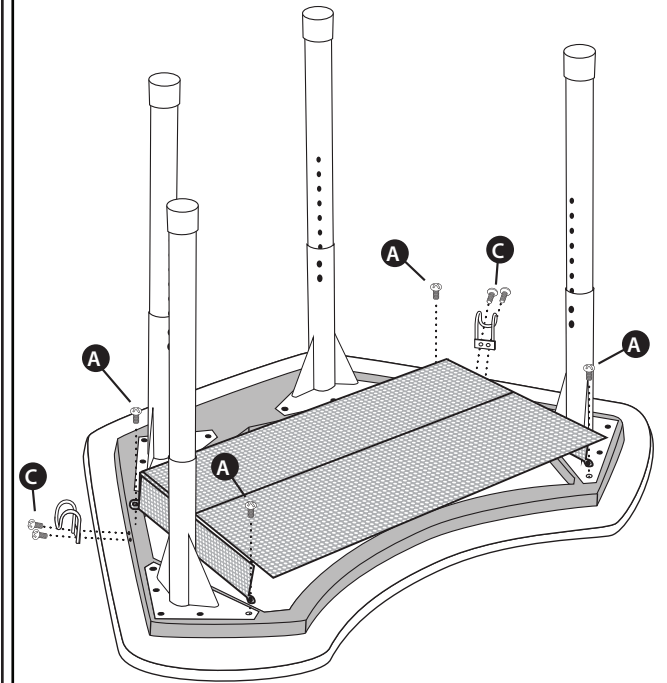





## OPTIONAL ACCESSORIES: HOOKS & BOOK BOX



## HARDWARE LIST

Part	Drawing	Description	Qty
A		Leg Screw	24
B		Leg Insert Screw	8
C		Hook Screw	2