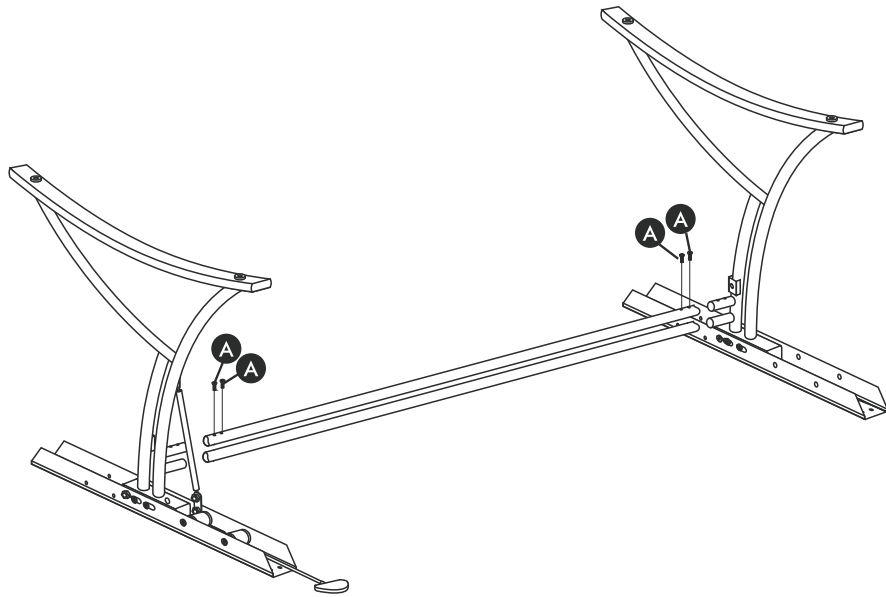
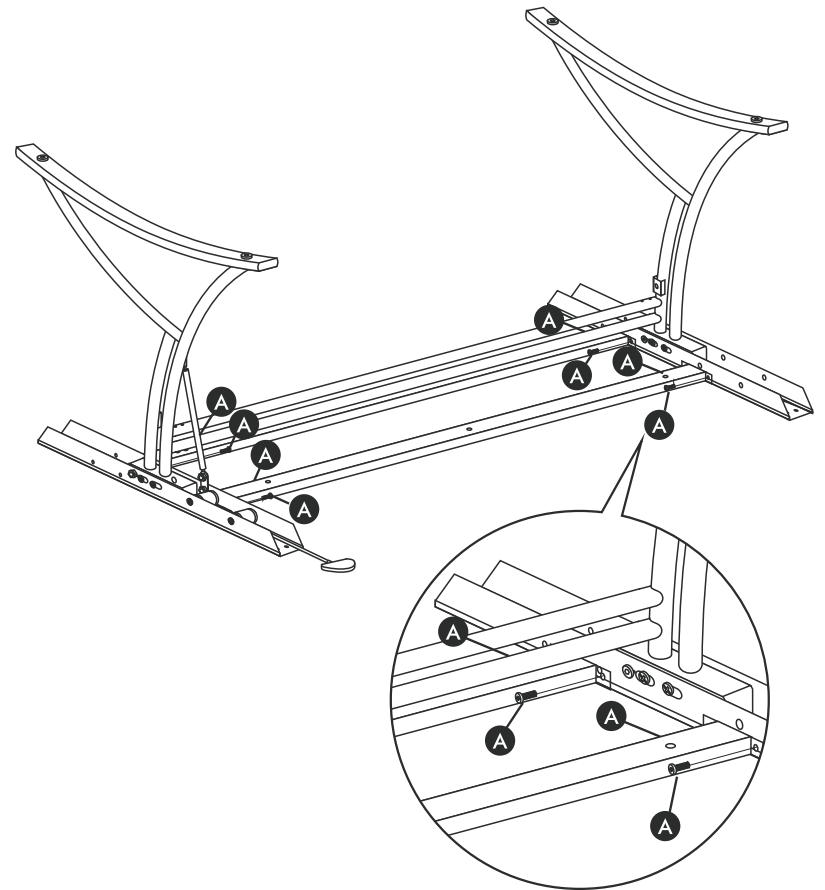








**STEP 1**



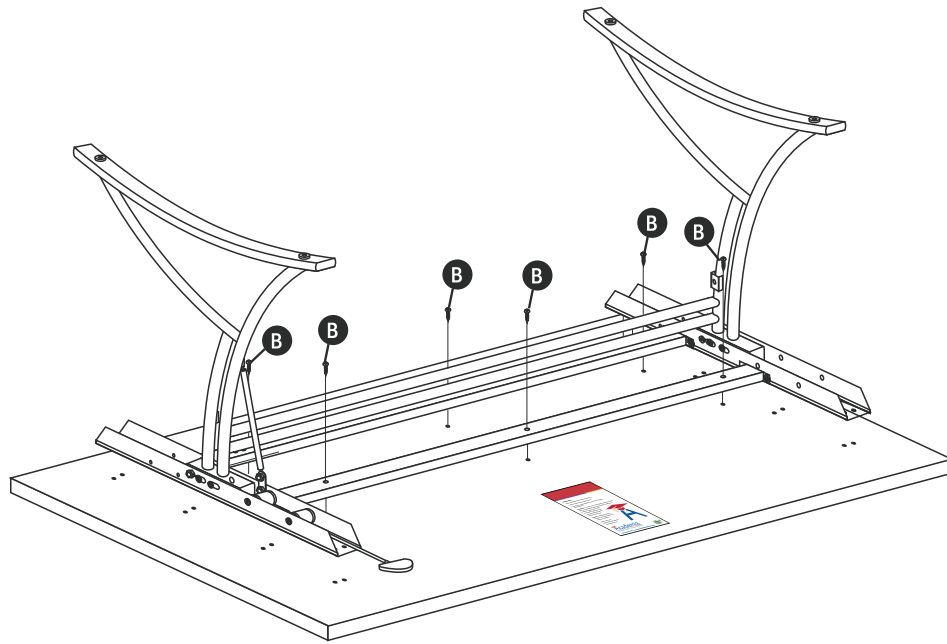
**STEP 2**



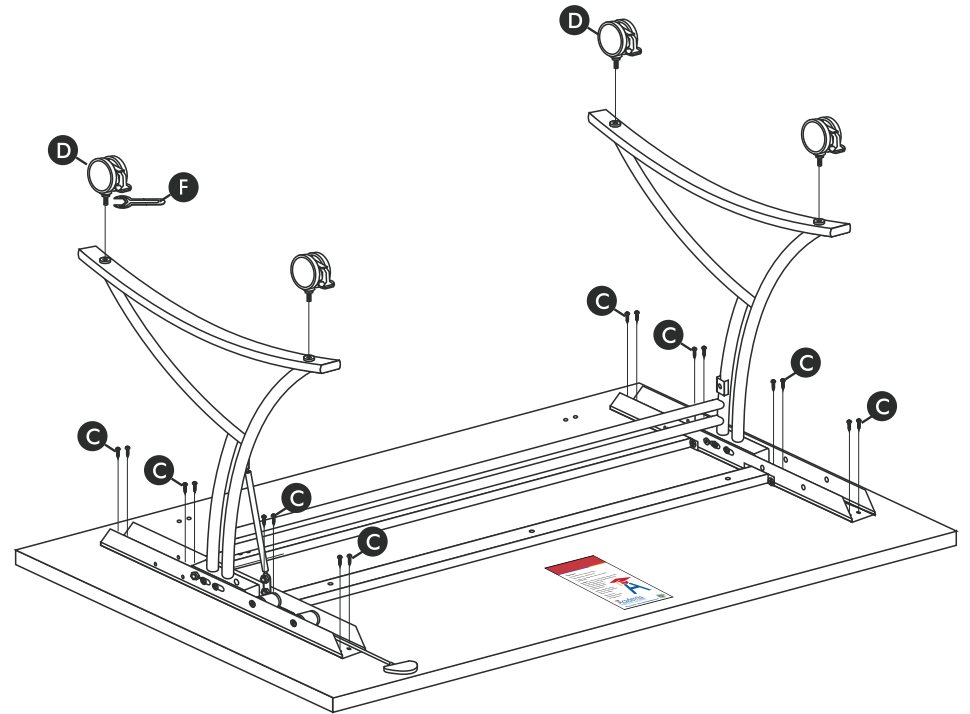
**HARDWARE LIST**

Part	Drawing	Qty
A		16
B		6
C		16
D		4
E		1
F		1

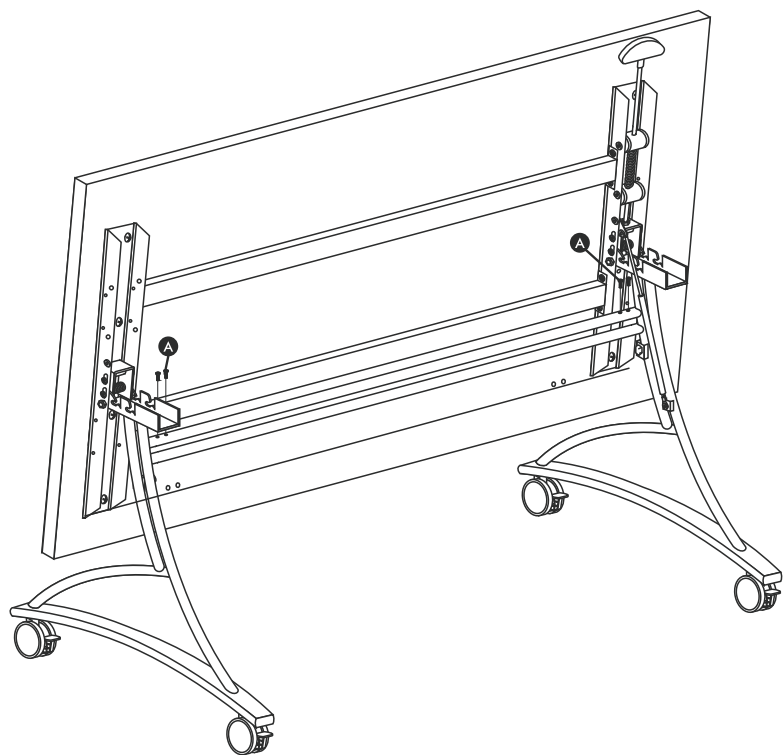
**STEP 3**



**STEP 4**



**STEP 5**



**STEP 6**

